

Memory Card Replacement Instructions

Follow the instructions in this sheet carefully. Failure to follow these instructions could damage your equipment and void its warranty.

Note: Written and video instructions covering customer-installable parts are available at <http://www.info.apple.com/installparts/>.

Warning: During this procedure, keep small parts away from children.

Warning: Memory cards come in various specifications. Only install memory cards that are approved for your iBook.

Tools Required

- Coin
- #0 Phillips screwdriver
- Jeweler's flat-blade screwdriver (if keyboard is locked)
- Small soft cloth (if an optional AirPort Card is installed)

Opening the Computer

Warning: Always shut down your computer before opening it to avoid damaging its internal components or causing injury. After you shut down the computer, the internal components can be very hot. Let the computer cool down before continuing.

1. Place your computer on a clean, flat surface.
2. Shut down your computer and wait thirty minutes before continuing.
3. Disconnect the power cord and any other cables connected to the computer.

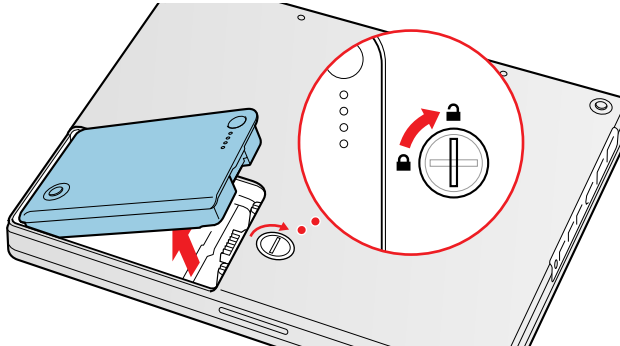
4. Close the computer, turn it over, and locate the battery latch. **(Figure 1)**

Use a coin to turn the battery latch 1/4 turn clockwise to unlock the battery. Gently remove the battery.

Removing the battery will prevent you from accidentally turning on the computer.

Warning: Removing the battery before shutting down your computer may result in data loss.

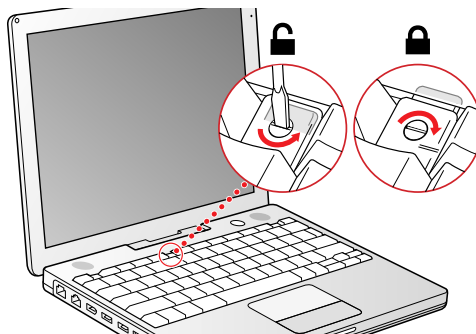
Figure 1



5. Turn over the computer.
6. Raise the display so you can access the keyboard.
7. Make sure the keyboard locking screw, located in the small plastic tab to the left of the Num Lock key **(Figure 2)**, is not in the locked position. Your iBook comes with the keyboard unlocked, so unless you or someone else locked the keyboard, you can skip this step.

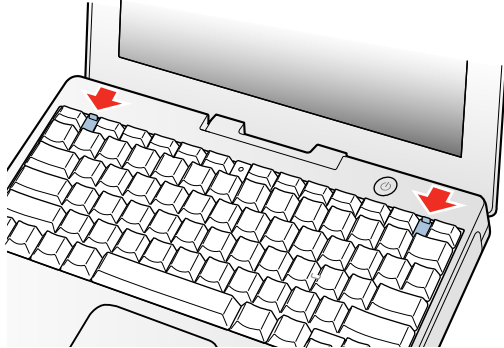
To unlock the keyboard, turn the screw 1/2 turn.

Figure 2



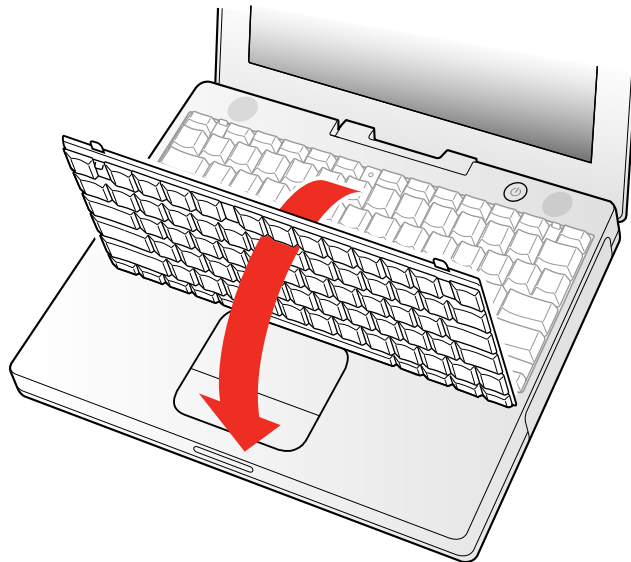
8. Release the keyboard by pulling down on the keyboard release tabs (located to the left of the F1 and F12 keys) **(Figure 3)**, then lift the top portion of the keyboard up slightly, and toward the display.

Figure 3



9. Flip the keyboard over and lay it on the palm rests and trackpad. **(Figure 4)**

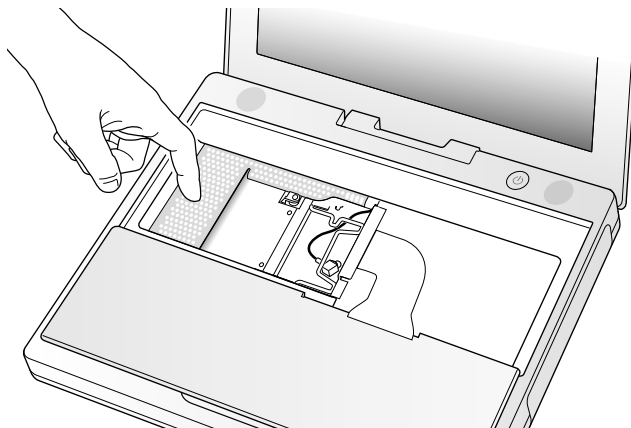
Figure 4



10. Touch a metal surface on the inside of the computer to discharge any static electricity, as shown. **(Figure 5)**

Important: To avoid electrostatic discharge damage, always ground yourself by touching the computer's framework before you touch any parts or install any components inside the computer. To avoid static electricity building back up in your body, do not walk around the room until you have completed the installation and closed the computer.

Figure 5

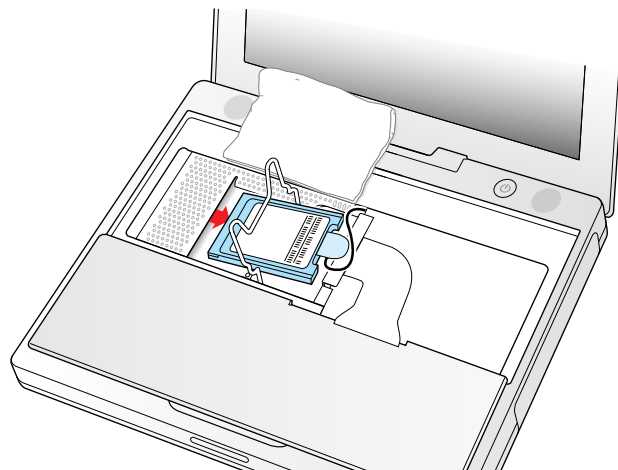


Removing the Installed Memory Card

1. If your computer has the optional AirPort Card installed, unlatch the flexible wire holder that secures the card. **(Figure 6)**
2. Use the pull-tab on the card to remove it from the slot. (You do not need to disconnect the antenna.)

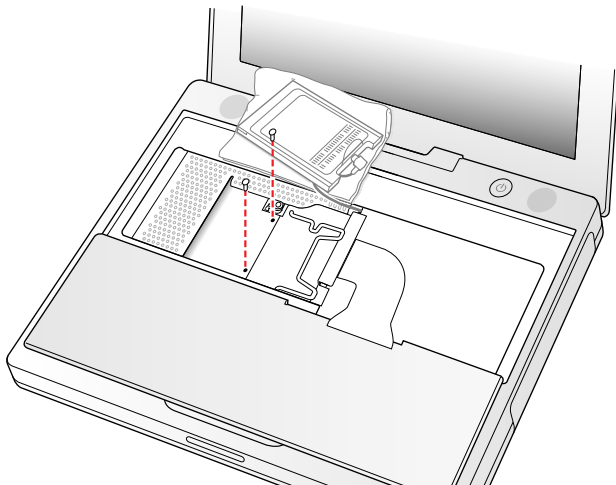
Note: To avoid scratching the computer's case, place a soft cloth between the AirPort Card and the surface of your iBook.

Figure 6



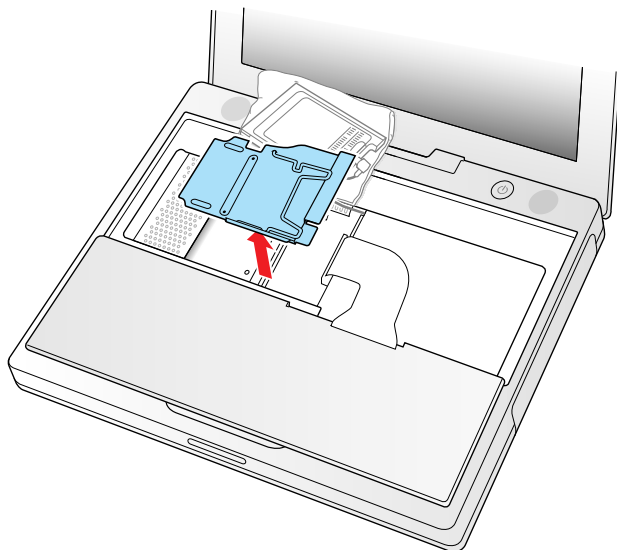
3. If an AirPort Card is not installed, unlatch the flexible wire holder to release the AirPort Card antenna cable.
4. Remove the screws that secure the RAM shield. **(Figure 7)**

Figure 7



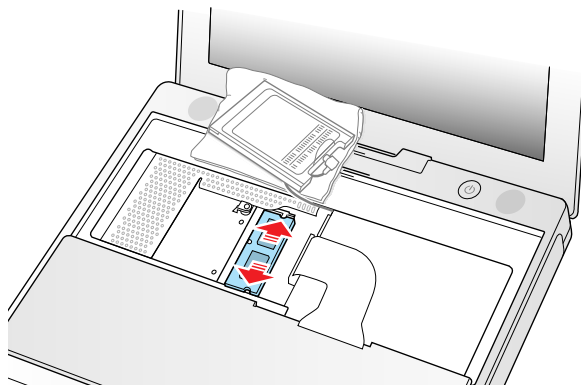
5. Lift the RAM shield out of the computer. Carefully pulling up on the wire holder may help to remove the shield. **(Figure 8)**

Figure 8



6. Locate the installed memory card and brackets that secure the card on both sides. **(Figure 9)**
7. Carefully spread the brackets apart until the card releases on each side. Pull the card up and out of the memory slot.

Figure 9

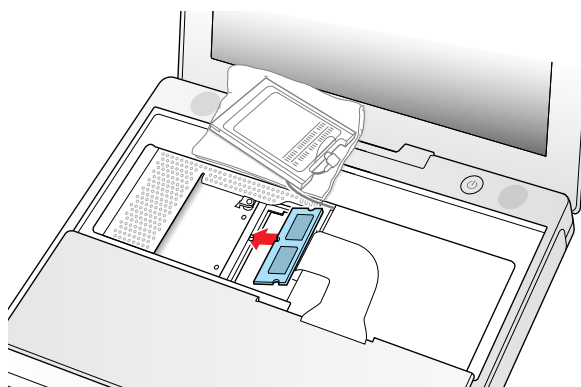


Installing the Replacement Memory Card

1. Line up the notch in the replacement memory card with the small tab in the memory slot. Hold the card at a 30-degree angle, then push the card into the slot until it is firmly seated. **(Figure 10)**

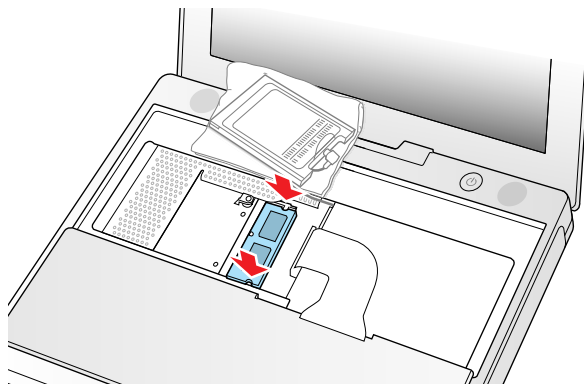
Note: If you feel resistance when inserting the card, try pushing one side at a time.

Figure 10



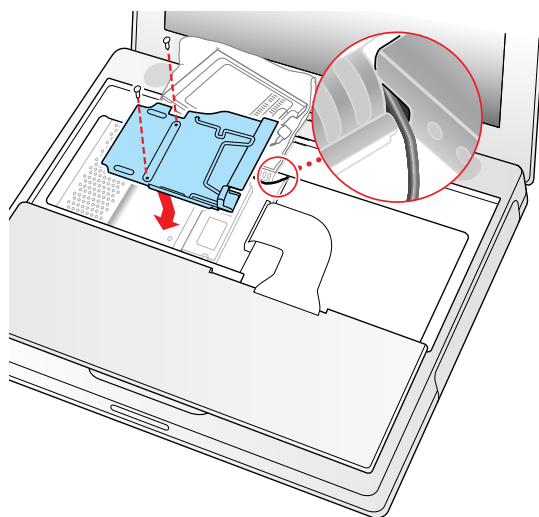
2. Gently push the top of the card down until the brackets snap onto both sides of the memory card to lock it into place. **(Figure 11)**

Figure 11



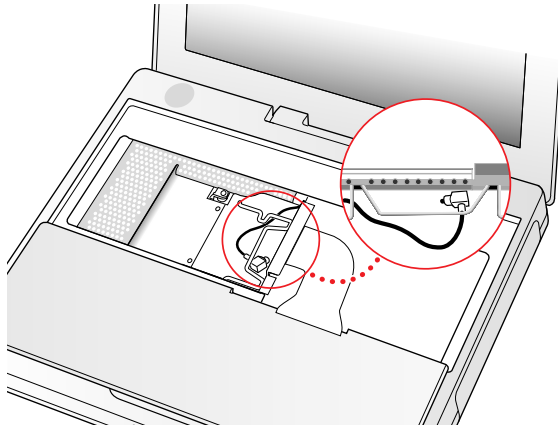
3. Insert the RAM shield. **(Figure 12)**
4. Verify that the end of the wire of the wire holder (where it is attached to the RAM shield, on the keyboard side) does not catch on the side of the compartment. The screw holes on the shield and computer should align and the shield should lay uniformly flat.
5. Verify that the AirPort antenna cable routes through the notch in the RAM shield without pinching.
6. Replace the RAM shield screws.

Figure 12



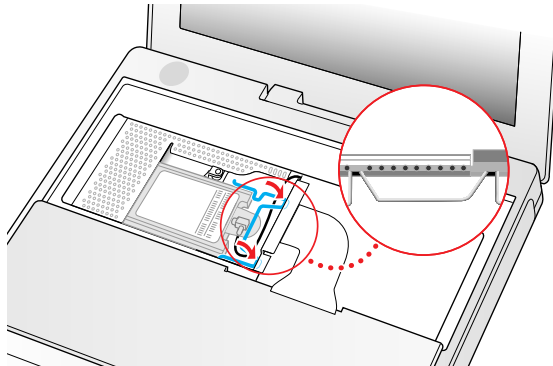
7. If you do not have an AirPort Card, flip down the wire holder over the AirPort Card antenna cable and secure it by inserting the prongs of the holder into the slots in the RAM shield. **(Figure 13)**

Figure 13



8. If you have an AirPort Card, gently slide it (with the AirPort ID number and bar code facing up) under the wire bracket and securely into the AirPort Card slot.
9. Use the wire holder to secure the AirPort Card in place by inserting its prongs into the slots in the RAM shield. **(Figure 14)**

Figure 14



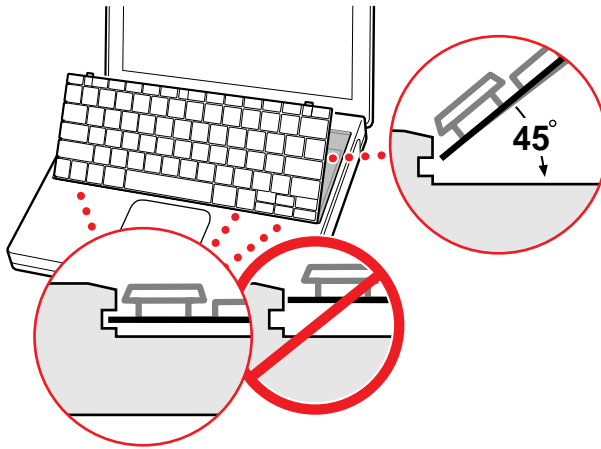
Closing the Computer

1. Flip the keyboard back toward the keyboard opening in the case.
2. Hold the keyboard at a 45-degree angle above the keyboard opening, and insert the tabs on the bottom edge of the keyboard into the slot under the edge of the opening.

Important: Make sure that all the tabs are seated and that the keyboard rests flush against the edge of the opening. **(Figure 15)**

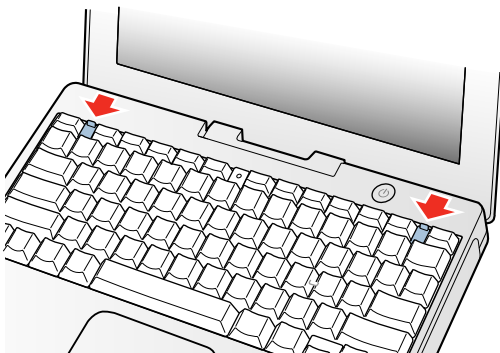
3. Lay the keyboard flat into the keyboard opening.

Figure 15



4. Pull down on the keyboard release tabs and then press down on the top portion of the keyboard. **(Figure 16)**

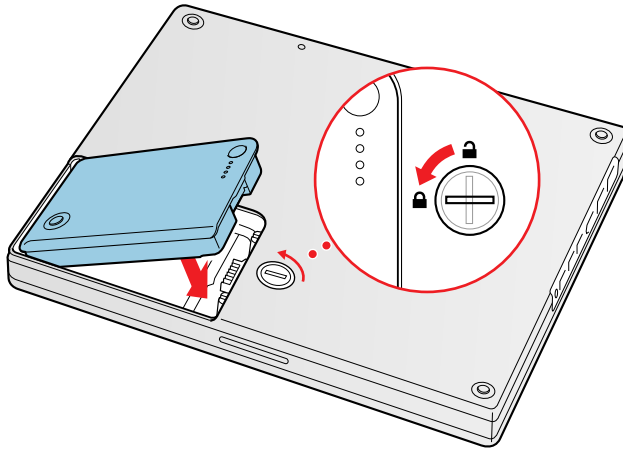
Figure 16



5. Let go of the keyboard release tabs to secure the keyboard in place.
6. Close the display and turn the iBook over.

7. Replace the battery into the battery compartment. Hold the battery flush and use a coin to turn the latch counterclockwise 1/4 turn to lock the battery into place.
(Figure 17)

Figure 17



8. Turn your iBook over and open the display.
9. Reconnect the power cord and any other cables that were connected and restart your computer.

Note: You may need to reset the date and time (using the Date & Time control panel).

Warning: Never turn on your computer unless all of its internal and external parts are in place and it is fully reassembled. Operating the computer when it is missing parts can damage your computer or cause injury.

🍏 Apple Computer, Inc.

© 2002 Apple Computer, Inc. All rights reserved.

This document is protected under U.S. Copyright Law and International Treaties, and no part of this document may be reproduced in any form without written permission from Apple.

Apple is not responsible for typographical, printing, or inadvertent errors.

Apple Computer, Inc.
1 Infinite Loop
Cupertino, CA 95014-2084
USA
+ 1 408 996 1010
<http://www.apple.com>

Apple and the Apple logo are trademarks of Apple Computer, Inc., registered in the U.S. and other countries. iBook is a trademark of Apple Computer, Inc.